

GEMELLI CARE

RIMLESS WALL FACED SPECIAL NEEDS TOILET PAN

CODE:
JTTG735

FEATURES

- WALL FACED VITREOUS CHINA TOILET PAN DESIGNED FOR SPECIAL NEEDS APPLICATIONS
- EXTENDED WC PAN FOR WHEELCHAIR SIDE ACCESS - AS1428.1 COMPLIANT
- RIMLESS BOWL DESIGN WITH ANTIMICROBIAL NANO-GLAZE FOR HYGIENIC FLUSHING
- SPECIAL NEEDS SEAT (BLUE OR GREY) WITH LATERAL STABILISERS INCLUDED
- VARIABLE S TRAP PAN CONNECTOR (100-300 SET OUT)
- WELS 4 Star, 4.4/2.9L (3.2L average flush) L06808

COMPONENTS

GEMELLI CARE RIMLESS WALL FACED PAN		JTTG735
	BLUE	RB6015B
ASSIST TOILET SEAT	GREY	RB6015G
	WHITE	RB6015W



WARRANTY

25 YEARS vitreous china replacement - REFER TO T&CS AT johnsonsuisse.com.au

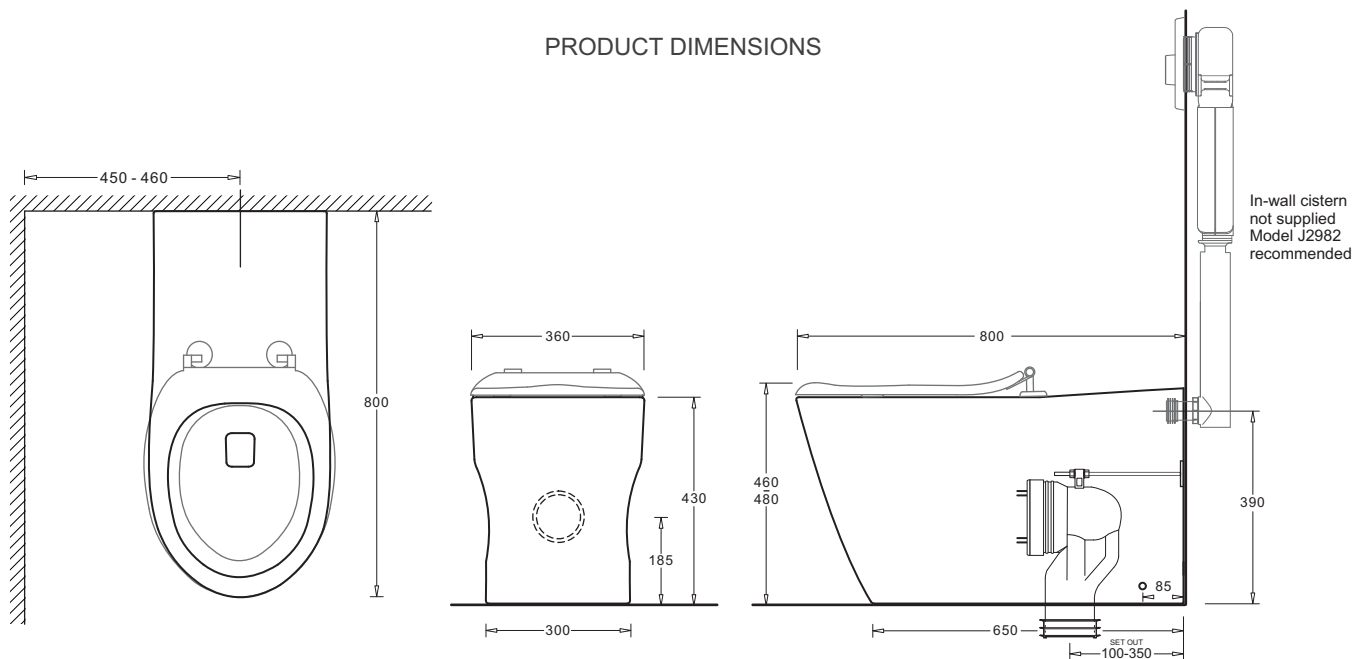
Special Note

For compliance with AS1428.1 the seat is available in grey or blue colour to provide contrast for vision impaired individuals. The seat also has lateral stabilisers fitted for people with ambulatory limitations and there is no seat lid.

Note that the design of the installation must comply with AS1428.1(2009)- Design for access and mobility



PRODUCT DIMENSIONS



OPTIONS

PAN CONNECTOR S - 200- 350mm SET OUT X011B

TECHNICAL DATA SHEET

SUPERSEDES ALL PREVIOUS ISSUES

All dimensions are in millimetres and are subject to normal manufacturing variation. As product development is ongoing BPA reserves the right to vary specifications without notice.
Bathroom Products Australia P/L ABN 87 079 297 617