

# LIFE ASSIST

## WALL FACE PAN with ASSIST SEAT

CODE: J2775.RB6044.x

### FEATURES

- Smartly styled, wall faced vitreous china toilet designed for Special Needs applications
- AS1428.1:2021 compliant
- Can be used in assisted living installations with the increased seat height for comfortable use
- Long projection pan for wheelchair side access
- Special Needs seat (blue or grey) with lateral stabilisers
- Adjustable S connector supplied for 90-300mm set out



### COMPONENTS

Life Assist wall faced pan		J2775	
Assist toilet seat	OR	Blue	RB6044B
		Grey	RB6044G
		White	RB6044W
Pan connector		X011H	

### WARRANTY

Vitreous china 25 years replacement  
Toilet seat 5 years replacement  
-refer to T&Cs at [www.johnsonsuiss.com.au](http://www.johnsonsuiss.com.au)

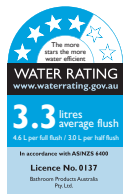
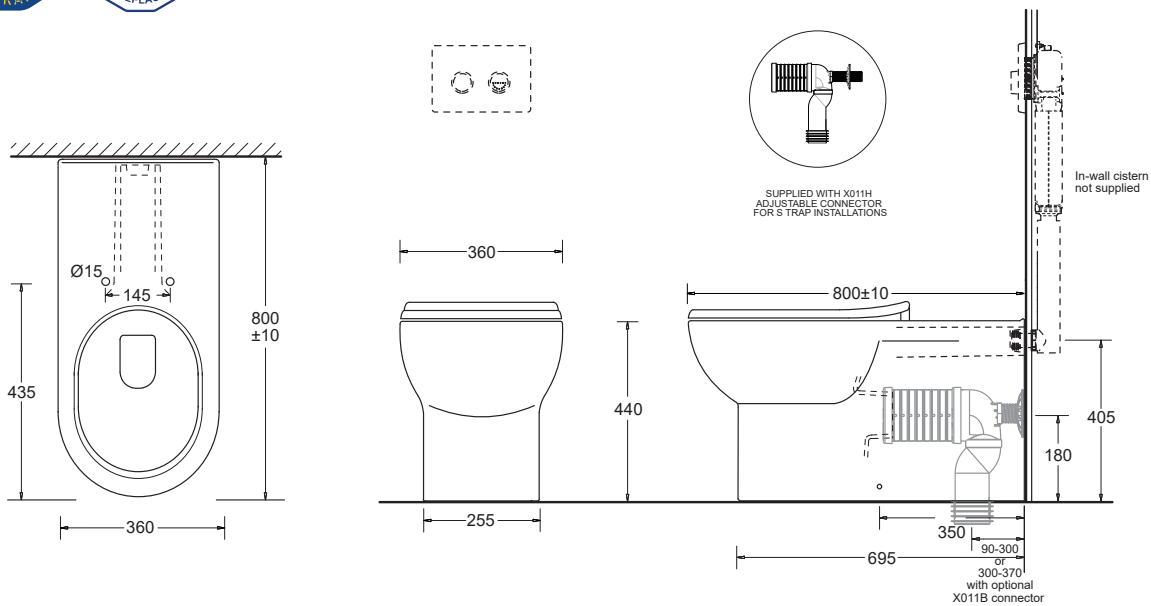


### Special Note:

For compliance with AS1428.1 the seat is available in grey or blue colour to provide contrast for vision impaired individuals. The seat also has lateral stabilisers fitted for people with ambulatory limitations and there is no seat lid.

Note that the design of the installation must comply with AS1428.1(2021)-Design for access and mobility

### PRODUCT DIMENSIONS



### TECHNICAL DATA SHEET

SUPERSEDES ALL PREVIOUS ISSUES

All dimensions are in millimetres and are subject to normal manufacturing variation. As product development is ongoing BPA reserves the right to vary specifications without notice. Bathroom Products Australia Pty Ltd ABN 87 079 297 617

### JohnsonSuisse

Bathroom Solutions

2/97 Banksia St.,  
Botany, NSW 2019  
TEL: 1300 717 717

[www.johnsonsuiss.com.au](http://www.johnsonsuiss.com.au)

1223