

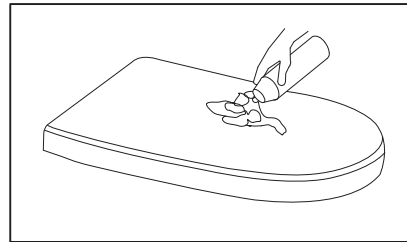
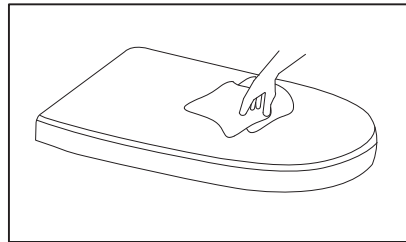
## TOILET SEAT INSTALLATION INSTRUCTIONS

These instructions are for the following toilet seat model:  
Johnson Suisse                      Egg                      JSEE202

### 1. BEFORE INSTALLATION

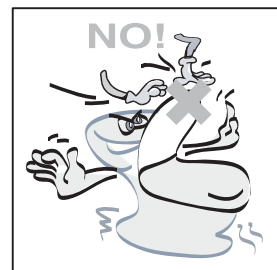
- Before installation check that the seat and the hinge bolts are a suitable fit on the toilet bowl.
- Please read these instructions carefully to ensure trouble-free fitting of the seat.
- Please retain the instructions for future reference

### 2. MAINTENANCE

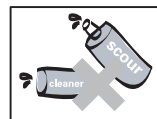


- Regularly wipe the seat using a damp cloth and mild detergent
- For convenience the seat may be removed by depressing the two hinge buttons and lifting the seat up (see Diagram 6 on the next page).
- With the seat removed, the area around the hinge mounts can be easily cleaned.
- Avoid spilling cosmetics and solvents as this can permanently stain the surface finish
- Periodically check the tightness of the hinge fixing screws.

### 3. CAUTIONS



To maintain the life span of the soft-close function do not forcibly close the seat or cover



Do not clean the seat or cover with strong chemical cleaners, scouring abrasives or stiff brushes as these may ruin the polished surface.

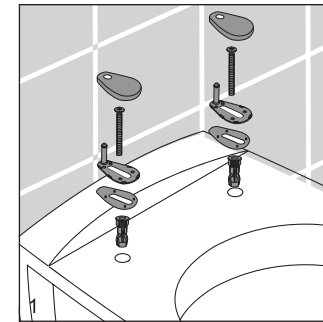
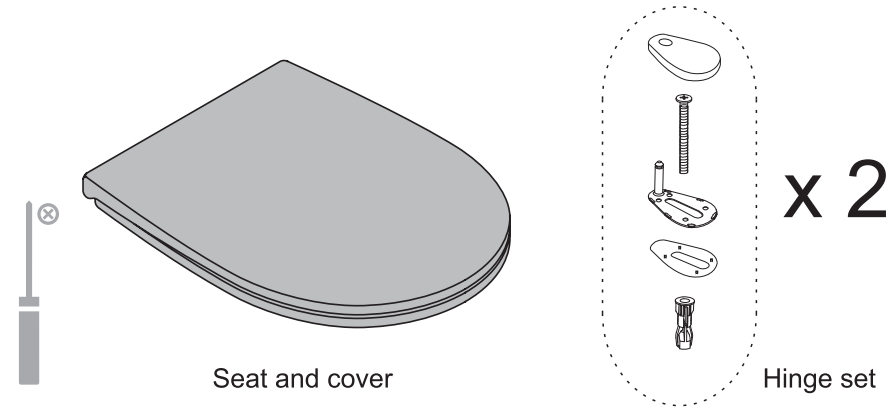


Do not place heavy objects on the cover and avoid dropping items onto the seat.

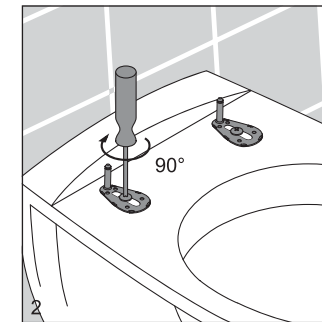


Where possible avoid installing in locations subject to strong sunlight or high temperature.

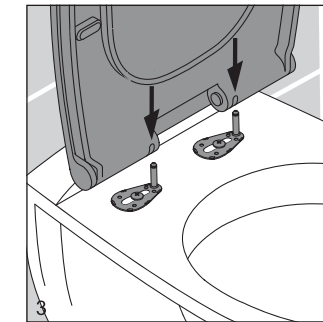
### 4. INSTALLATION STEPS



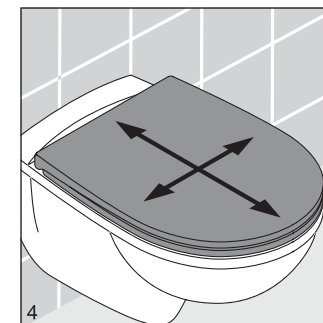
1 Insert hinge parts at the above order



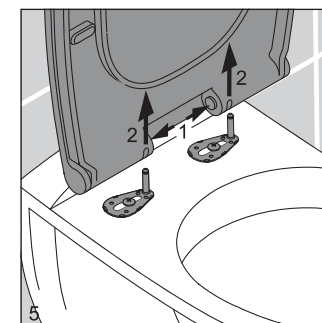
2 Secure hinge bases to place



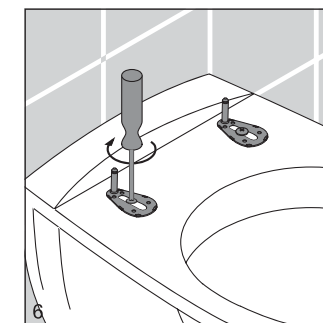
3 Insert the seat over the hinge pins



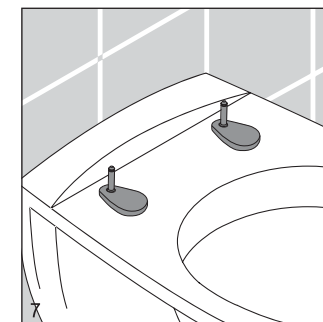
4 Adjust the seat to the correct position



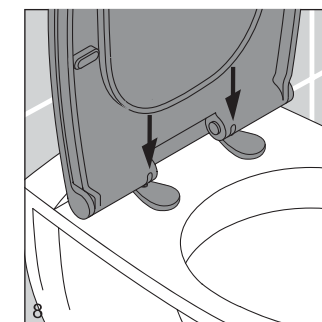
5 Remove the seat off the hinge pins



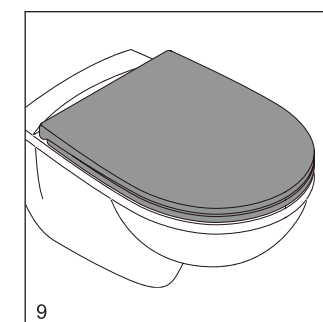
6 Tighten the hinge pin bases onto their place



7 Place the covers over the hinge pin bases



8 Place the seat over the pins



9 The seat is now ready to use