

# CORSICA

## BI-FOLD

### SHOWER SCREEN INSTALLATION GUIDE

These installation guidelines relate to the following shower screens:

Model*	Door Panel Set RH Hinge	Door Panel Set LH Hinge	Return Panel Set
900 Chrome	SSD526RCHB	SSD526LCHB	SSD526CHR
900 Matte Black	SSD526RBHB	SSD526LBHB	SSD526BHR
1000 Chrome	SSD540RCHB	SSD540LCHB	SSD540CHR
1000 Matte Black	SSD540RBHB	SSD540LBHB	SSD540RHR

\* Actual sizes:

900 models - 860 - 905mm

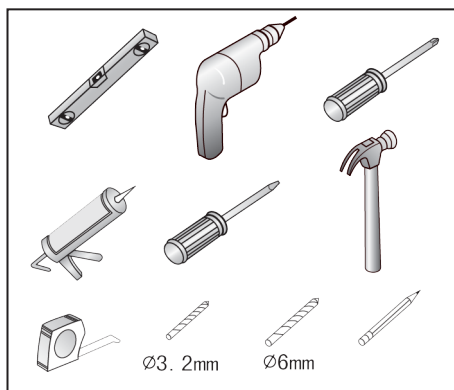
1000 model3 - 960 - 1005mm



#### IMPORTANT PRE-INSTALLATION NOTE:

- Immediately on receipt inspect the product for transit damage, missing packs/parts or manufacturing faults.
- Damage reported later cannot be accepted.
- Please handle the product with care avoiding knocks and shock loading to all sides and edges of glass.
- Damaged glass or missing parts will not be replaced under warranty if the installation process has begun.
- SAFETY GLASS CANNOT BE REWORKED, IF BROKEN IT HAS TO BE REPLACED
- Please read these instructions carefully before you start installation. Special care should be taken when drilling walls to avoid hidden pipes or electrical cables.
- Securing into a stud or timber brace is highly recommended, if unable to do so, other secure means of fixing must then be considered.

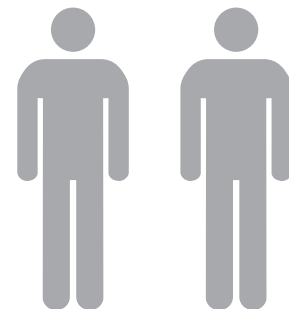
#### TOOLS REQUIRED



- 6mm masonry drill bit
- 3.5mm metal drill bit
- Power drill
- Neutral-cure silicone
- Silicone gun
- Pencil
- Tape measure
- Philips head screw driver
- Spirit level with horizontal and vertical level indicators
- Knife

This product is heavy and awkward to handle.

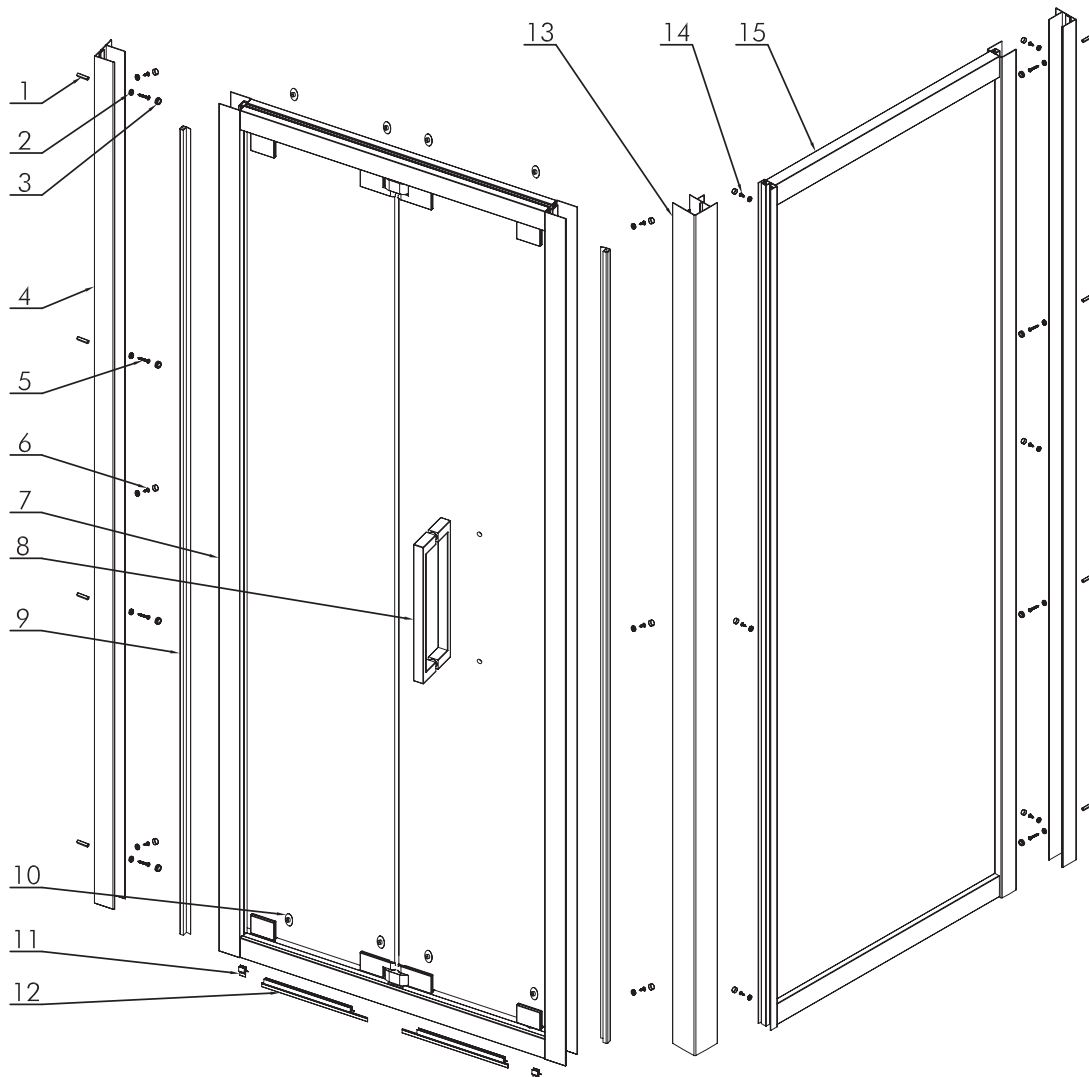
Two-person installation is recommended.

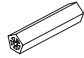









# CORSICA

## BI-FOLD

### SHOWER SCREEN INSTALLATION GUIDE



- |   |   |  |  |
|---|---|--|--|
|  | 1. 8 x wall plugs                       |  | 9. 2 x vertical water seal                       |
|  | 2. 20 x screw inner cap                 |   | 10. 8 x hex screw cover cap                      |
|  | 3. 20 x screw cover cap                 |  | 11. 2 x bottom water seal (short) - L+R          |
|   | 4. 2 x wall profile                     |  | 12. 2 x bottom water seal (long)                 |
|  | 5. 8 x ST4x30 B-head screws             |  | 13. 1 x corner profile                           |
|  | 6. 9 x ST4x12 B-head screws             |   | 14. 3 x ST4x8 flat head screw (without cuspidal) |
|   | 7. 1 x pre-assembled bi-fold door panel |  | 15. 1 x return panel                             |
|   | 8. 1 x handle                           |  |  |

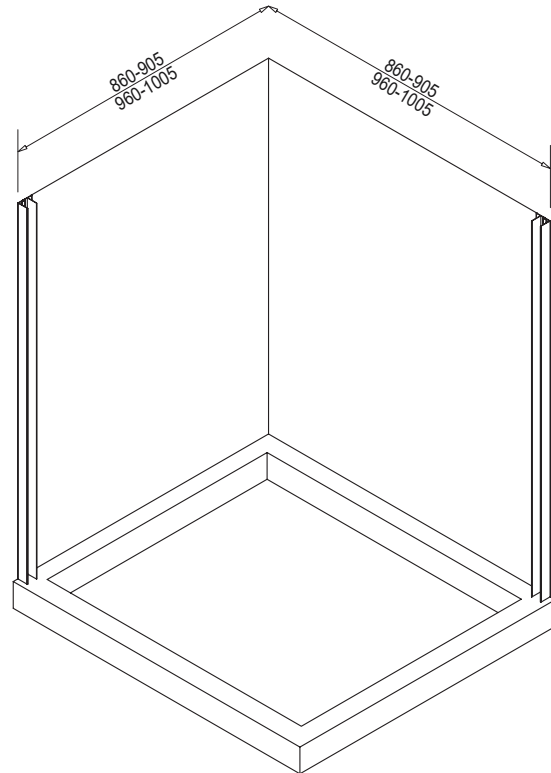
# CORSICA

## BI-FOLD

### SHOWER SCREEN INSTALLATION GUIDE

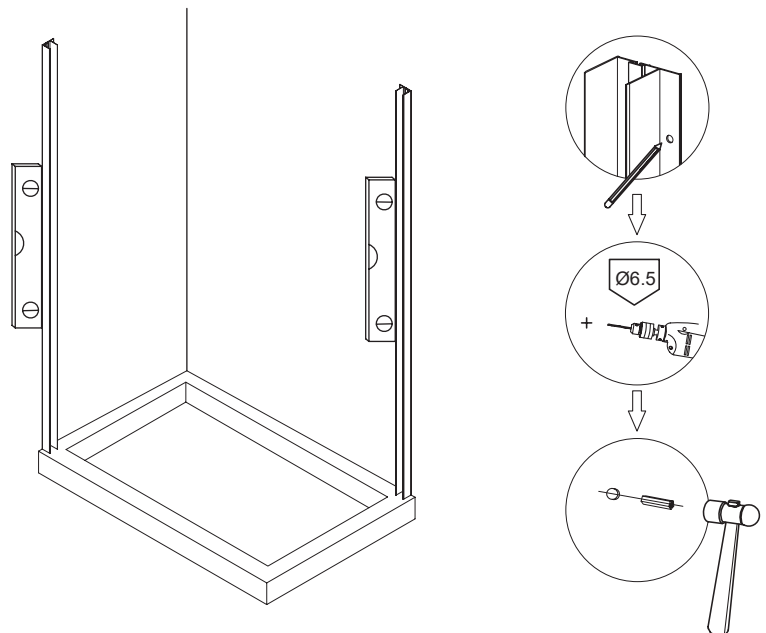
#### SITE PREPARATION

- Ensure floor area where screen is to be installed is completely level.
- Check measure the screen size indicated on the carton to confirm it suits the intended area of installation.



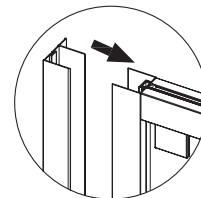
#### 1

- Adjust wall profile to ensure it is vertical to the tray.
- Mark holes on the wall through the holes on the wall profile.
- Drill holes and insert wall plugs.



#### 2

Insert the wall profile to pre-assembled door panel and move to the installation position



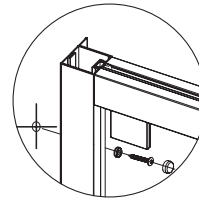
# CORSICA

## BI-FOLD

### SHOWER SCREEN INSTALLATION GUIDE

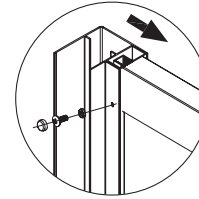
3

Fix the wall profile to wall using ST4x30 B head screws. Fit screw inner and cover caps.



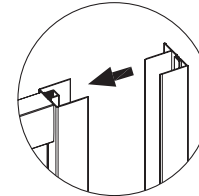
4

Insert the corner profile to the return panel and tighten it using flat head screws. Apply screw inner and cover caps.



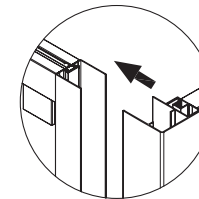
5

Insert the wall profile to the return panel.



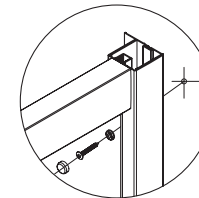
6

Fit the return panel to the door panel and move the installation into position.



7

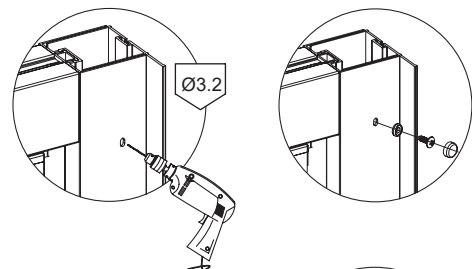
Fix the wall profile to wall using ST4x30 B head screws. Apply screw inner and cover caps.



8

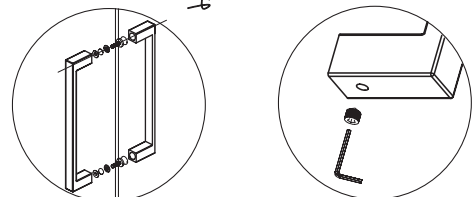
Drill 3.2mm holes on the overlap of vertical through pre-drilled holes.

Fix with ST4x12 screws. Apply screw inner and cap covers.



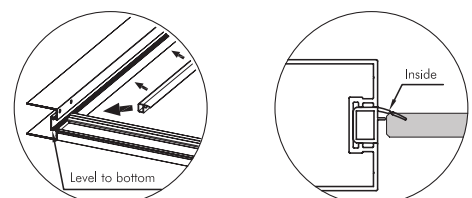
9

Fit the handle on the moving panel.



10

Insert the upright water seal to the door profile from top to bottom and push it tight to the door profile.



# CORSICA

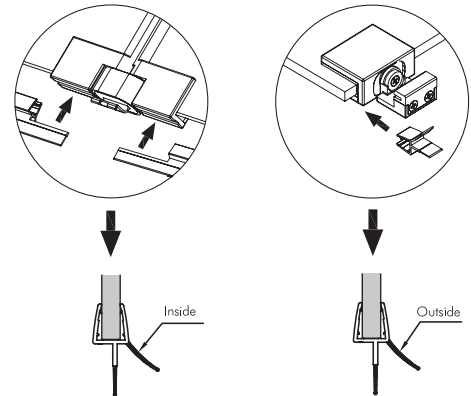
## BI-FOLD

### SHOWER SCREEN INSTALLATION GUIDE

---

#### 11

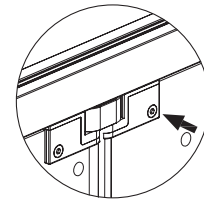
Fit the bottom water seal to the bottom of the door panel.



---

#### 12

Fit the hex screw cover cap to the glass clamp.

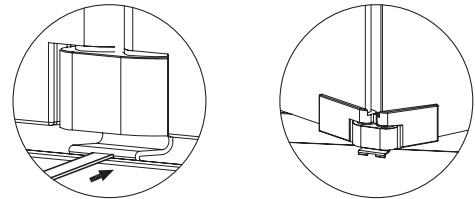


---

#### 13

Normally the door can not open outwards.

If necessary it can be opened outwards by prying up the safety button with any small hard tool.



---

#### 14

Apply vaseline to the roller and guide groove on top and bottom rails.

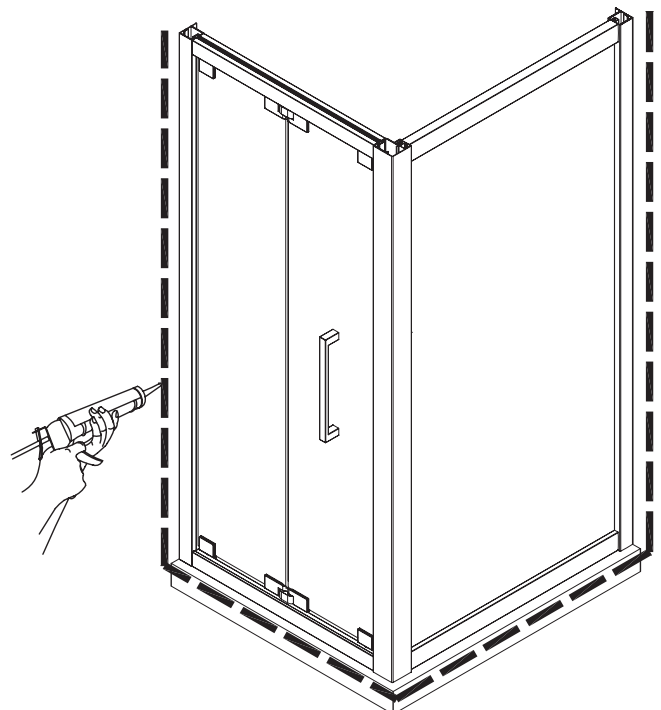
---

#### 15

Apply bathroom quality silicone sealant around all external joints of the shower screen.

Sealant is not used on the inside of the screen as in time water may build up within the wall jamb and then leak out of the shower area. The screen is designed to allow water to drain within the shower area.

ALLOW 24 HOURS BEFORE USING THE SHOWER



# CORSICA

## BI-FOLD

### SHOWER SCREEN INSTALLATION GUIDE

#### CARE INSTRUCTIONS

This shower screen has been treated with EnduroShield® easy-to-clean glass surface treatment. Please follow the care instructions affixed to the door panel to ensure that your treatment is long-lasting.

After use, your shower should be cleaned with mild detergent and water. This is particularly important in hard water areas where insoluble lime salts may be deposited and allowed to build up.

Cleaners of a abrasive/gritty nature should not be used. Care should be taken to avoid contact with strong chemicals such as organic solvents and strippers. Glass cleaners can be used but with caution. If in doubt please contact the manufacturer of the cleaner in question.

Please keep these instructions for aftercare and customer service details.